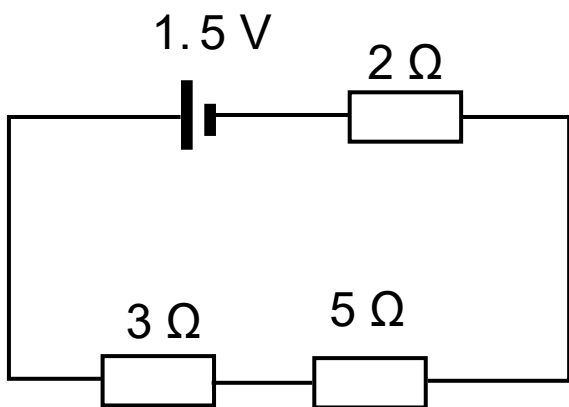
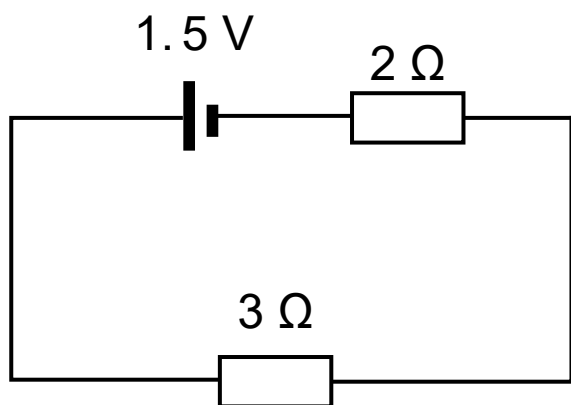
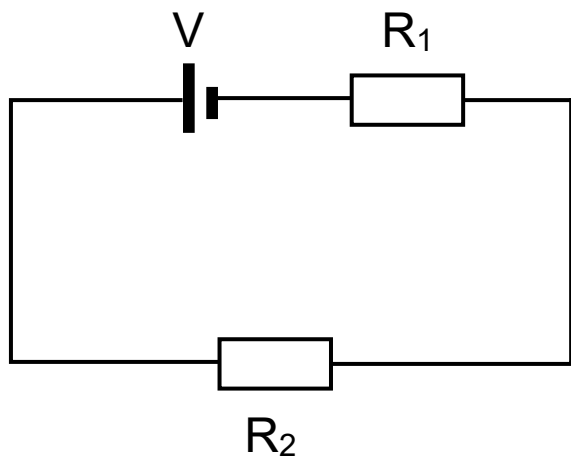
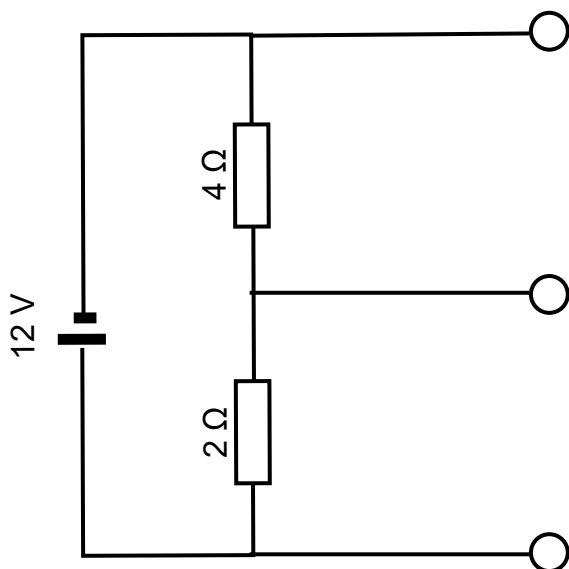
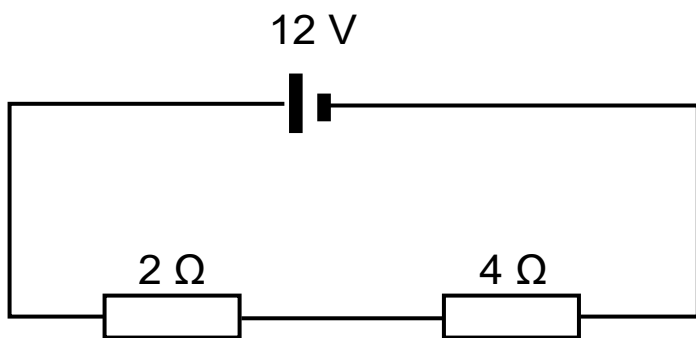


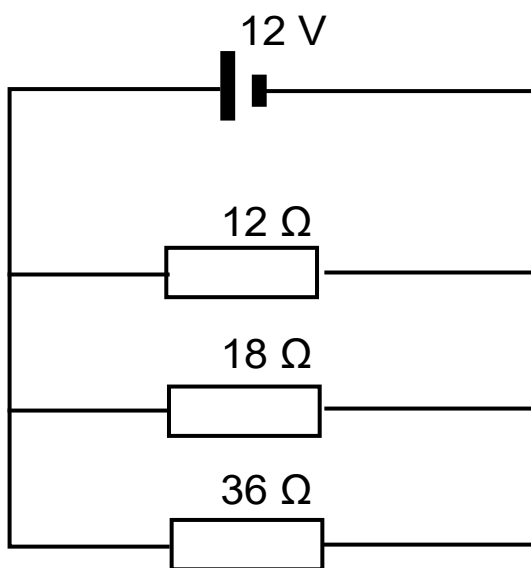
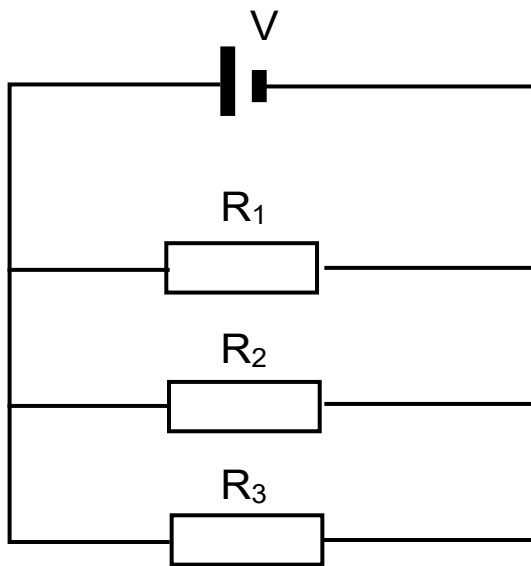
Revision Series Circuit



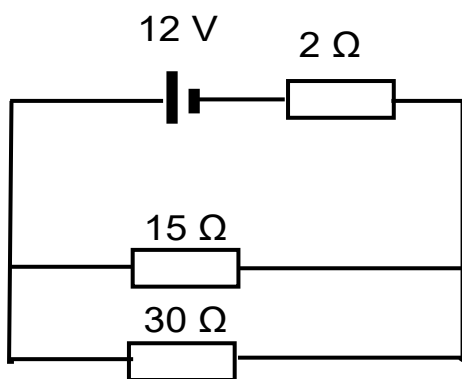
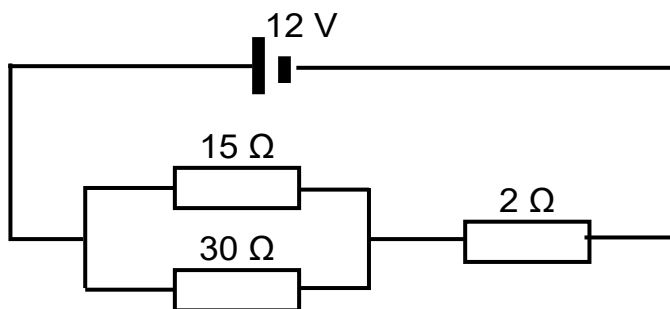
Voltage Dividers



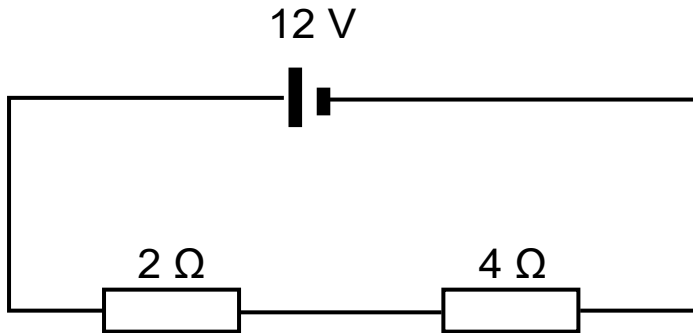
Revision Parallel Circuit



Combination Circuit



Key Electrical equations



Find the current in the circuit

Find the charge that flows into the resistors during a time of 2 minutes

Find the pd across each resistor

Find the power dissipated (lost) in the circuit